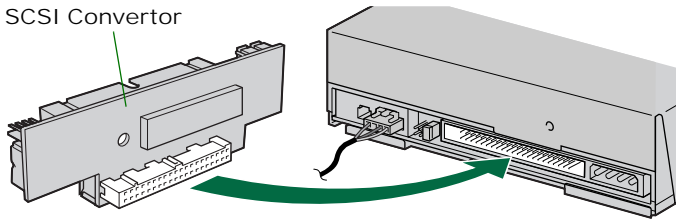


Installing the SCSI Converter to the CRW2200 drive

Notes

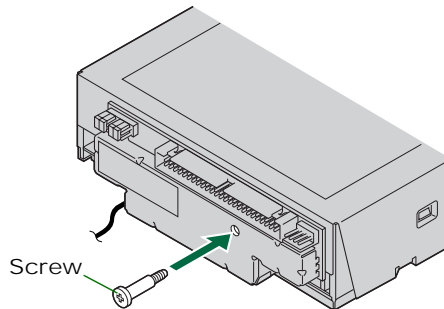
- Do not touch the connector pins or the circuit board. Otherwise, it may cause a malfunction with the SCSI converter.
- Please follow the instructions below. Do not use excessive force when installing. Otherwise, it may cause damage.

5 Attach the SCSI converter (included) to the rear of the CRW2200 drive.



The jumper switch for the IDE settings on the rear panel of the CRW2200 drive can be set to any of MASTER/SLAVE/CSEL. This setting does not affect the CRW2200 drive operation. (→P. 42)

6 Secure the SCSI converter to the CRW2200 drive with the screw (included).

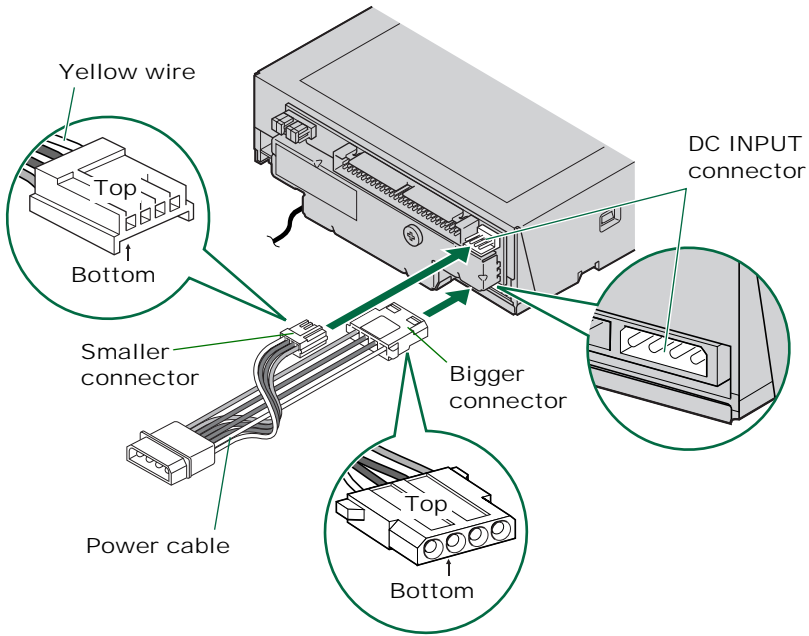


Note

Do not apply excessive force when tightening the screw.

7 Connect the forked end of the power cable (included) to the drive's and the SCSI convertor's DC INPUT connectors.

Connect the smaller connector to the SCSI convertor with the yellow wire to the left. (See the figure below.)



Note

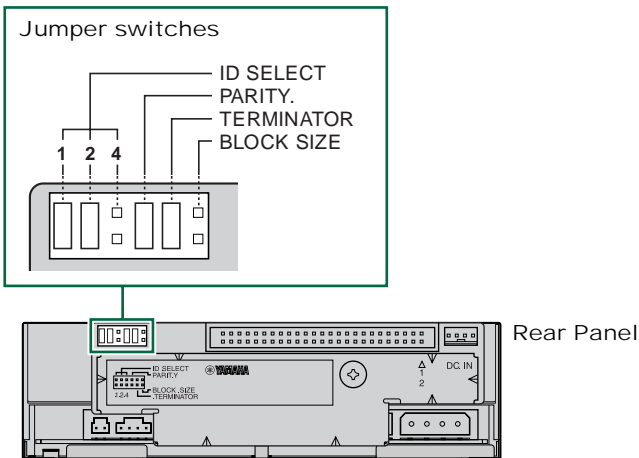
These connectors are D-shaped, so you can only connect the power cables in the correct orientation. Do not apply excessive force when making this connection. You risk damaging the convertor if you make these connections upside down.

Setting the Jumper Switches

8 Before fitting the CRW2200S into the computer, you need to set up the drive using the jumper switches located at the rear of the unit. You'll need to set the following:

- ① SCSI ID number
- ② Parity check
- ③ Termination
- ④ Block size

To set each jumper switch, you have to bridge the two pins in the respective column of the grid with a plastic shunt. Shunts are already attached to the jumper switches in their default configurations.

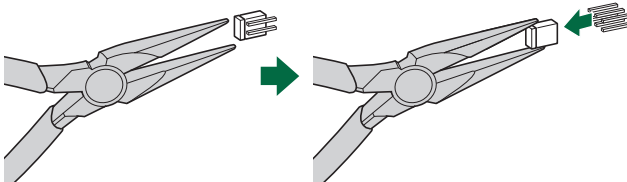


Note

The plastic shunts actually contain metal for bridging the two pins of a jumper switch, creating an electrical connection between them when attached. When removed, the jumper switch is set to "OFF." Store unused shunts in a safe place where they will not be lost.

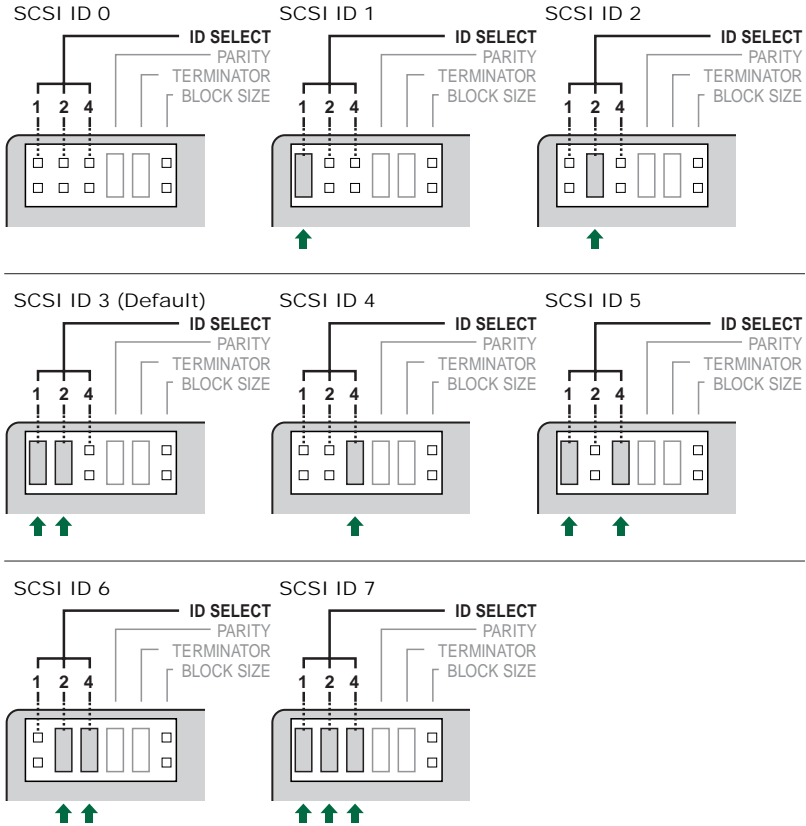


Use a pair of long-nosed pliers to attach or detach the plastic shunts accordingly. Make sure that the computer is turned off beforehand.



① SCSI ID Number

Each of the SCSI devices connected to the computer is identified by its SCSI ID number. You need to assign a number from “0” to “7” for each SCSI device. Commonly, ID number “7” is reserved for the computer’s SCSI card itself. Therefore, the **CRW2200S** can actually be assigned an ID number from “0” to “6.” The ID number is set by attaching/detaching the shunts on the ID Select jumper switches according to the diagram shown below.



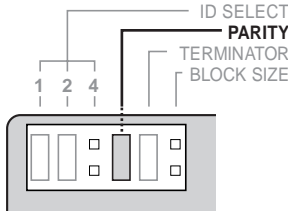
Note

The SCSI ID number for each device on the chain must be unique. Make sure the **CRW2200S**'s SCSI ID number is not the same as that of any other device on the chain. By factory default, the **CRW2200S** is assigned ID number “3” but this can be changed.

② Parity Check

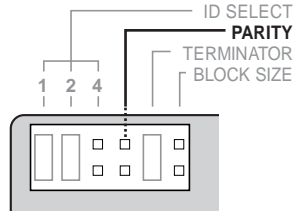
The parity check is used for error correction during data transmissions. If parity-checking has to be disabled, the shunt on the Parity jumper switch should be removed.

Parity ON (Default)
Normally leave this setting alone.



The setting allows for the parity checking. Normally, set PARITY to ON to enable error correction.

Parity OFF



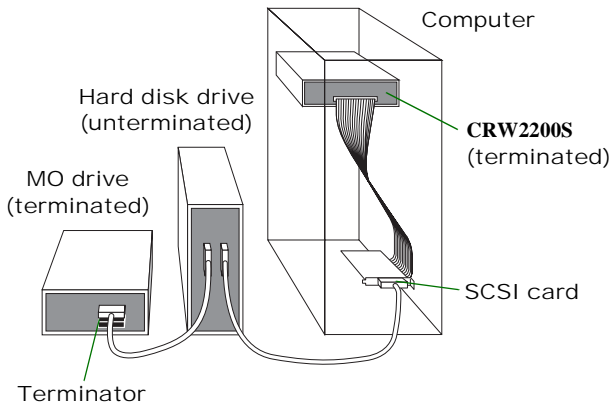
The setting does not allow for parity checking.

Note

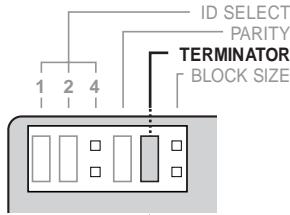
By factory default, the Parity switch is set to “ON” and should normally be left in this state.

③ Termination

Terminators prevent SCSI signals from being reflected off the last device in the chain. The SCSI terminator switch should be set to “ON” if the **CRW2200S** is the last device on the internal SCSI chain. If the **CRW2200S** is not the last device on the internal SCSI chain, the shunt on the Terminator jumper switch should be removed.

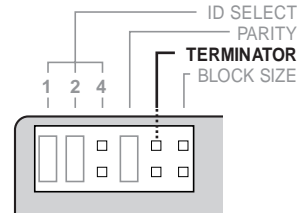


Termination ON (Default)



Set to "ON" if **CRW2200S** is last device on SCSI chain

Termination OFF



Set to "OFF" if the **CRW2200S** is not the last device on the SCSI chain

Note

The default setting of the Terminator switch is ON.

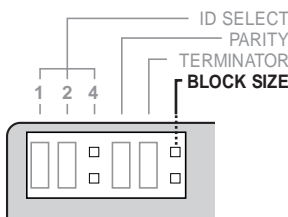
④ Block Size

The data block size of the **CRW2200S** can be set to 512 bytes per sector by setting the Block Size jumper switch to "ON." This is necessary when installing the **CRW2200S** on a UNIX-based workstation. It is not necessary for Windows 95/98/98 Second Edition/Me/NT4.0/2000 Professional computers.

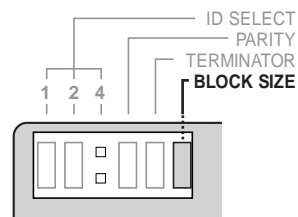
About the Block Size

Block Size shows the capacity of a sector that is the unit of data management of OS.

Block size OFF (Default)



Block size ON



Set to "ON" when installing **CRW2200S** on UNIX workstation

Note

By factory default, the Block Size jumper switch is set to "OFF" and should normally be left in this state.